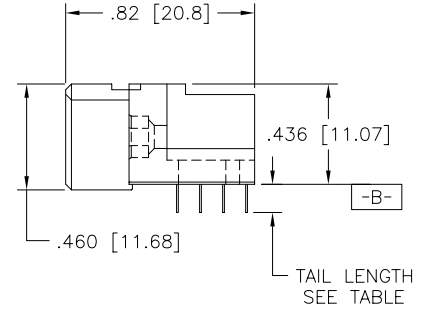
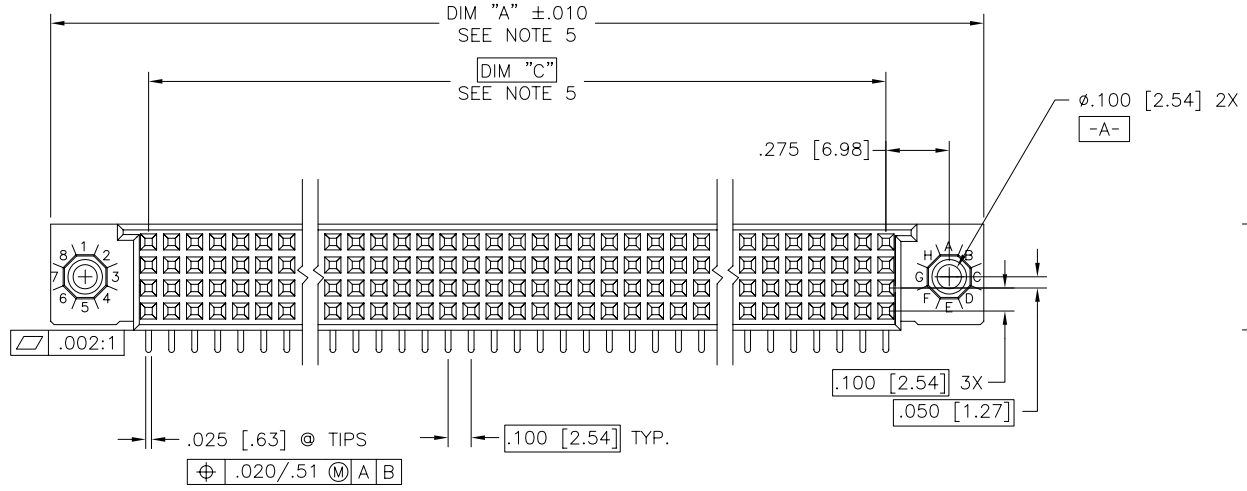
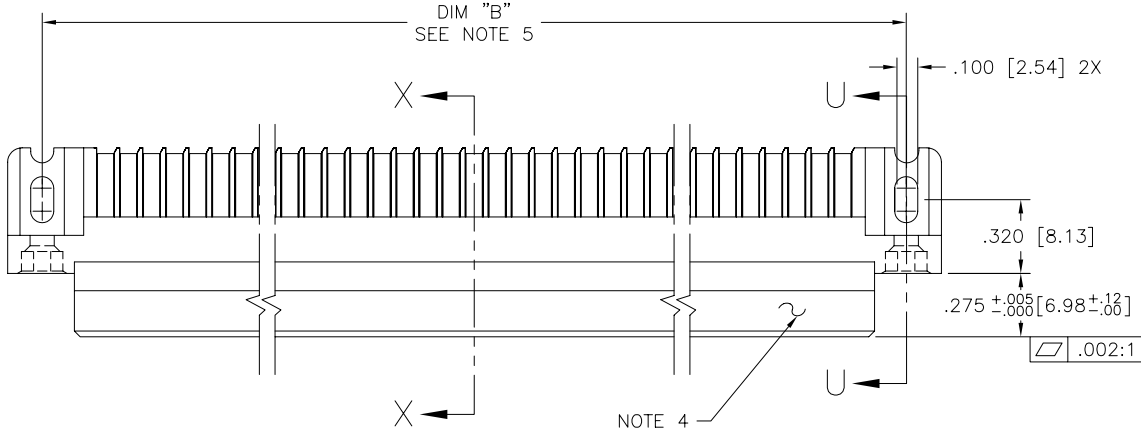


PRODUCT NUMBER
SEE TABLE



mat'l. code SEE NOTE 3		surface ISO 1302 ✓	tolerance ISO 406 ISO 1101	projection INCH/MM	product family HPC
ltr	ecn no	dr	date	title	
J	V41511	GAH	10/13/94	4 ROW R/A RECEPTACLE	
K	V50266	SAR	9/5/95	SOLDER TAIL, 0 GUIDE PIN	
L	V82251	HTB	12/28/98	scale 1:1	
M	V00253	JWS	1/12/00	dr	D.SHEAFER 1/7/90
N	V05-0513	DAI	10/19/05	enr	S.CLARK 1/7/90
P	M06-0283	MHT	7/27/06	chr	S.CLARK 1/7/90
R	M07-0136	AGS	2/26/07	appd	S.CLARK 1/7/90
sheet	revision	R	R	R	R
index	sheet	1	2	3	4



product family HPC	
title 4 ROW R/A RECEPTACLE SOLDER TAIL, 0 GUIDE PIN	
dwg no 50003	sheet 1 of 4 size A3
type Product Customer Drawing	



Copyright FCI

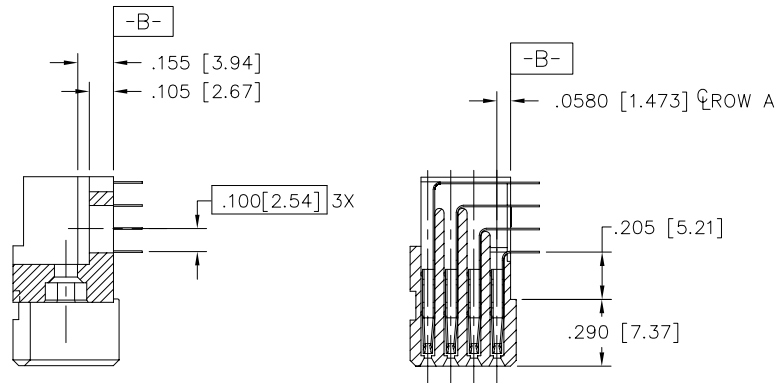
form: A3

PRODUCT NUMBER
SEE TABLE

NOTES:

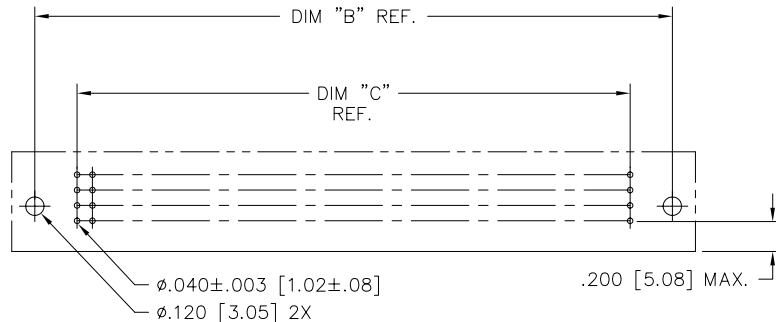
1. PRODUCT NUMBERING CODE:
50003 - X YYY Z LF
- X — LEAD FREE (OPTIONAL)
 - YYY — TAIL LENGTH SEE TABLE
 - Z — NO. OF POSITIONS SEE NOTE 2
 - LF — PLATING SEE TABLE
 - 50003 — BASE NUMBER

- PRODUCT NUMBERING CODE FOR
SELECT LOAD PART NUMBERS:
50003 - XXYYY LF
- XX — LEAD FREE (OPTIONAL)
 - YYY — SEQUENCE NUMBER
 - LF — ALWAYS 'XX'
 - 50003 — BASE NUMBER



SECTION U-U

SECTION X-X



RECOMMENDED PCB LAYOUT
(ALL HOLES LOCATED ON .100 [2.54] GRID
UNLESS OTHERWISE SPECIFIED)

- ② THIS PRODUCT IS CONFIGURED IN SIZES OF 6 THRU 80 COLUMNS IN INCREMENTS OF ONE. i.e.: 6,7,8,9.....79,80.
- ③ HOUSING MATERIAL: GLASS AND MINERAL FILLED THERMOPLASTIC. CONTACT MATERIAL: BeCu
- ④ COMPANY NAME, PART NUMBER AND LOT CODE TO APPEAR ON THIS SURFACE PER BUS-12-108.
- ⑤ LENGTH FORMULAS
DIM A = $.100/2.54 \times \text{NO. OF COLUMNS} + .75/19.1$
DIM B = $.100/2.54 \times \text{NO. OF COLUMNS} + .450/11.43$
DIM C = $.100/2.54 \times \text{NO. OF COLUMNS} - .100/2.54$
6. PRODUCT WITH 'LF' SUFFIX MEETS EUROPEAN UNION DIRECTIVES AND OTHER COUNTRY REGULATIONS AS DISCRIBED IN GS-22-008.
7. THIS HOUSING WILL WITHSTAND EXPOSURE TO 260° C PEAK TEMPERATURE FOR 10-30 SECONDS IN CONVECTION, INFRA-RED OR VAPOR PHASE REFLOW OVEN.
- ⑧ DUE TO SPECIAL PLATING, LF NOT AVAILABLE FOR 50003-XX002.

mat'l. code SEE NOTE 3		surface ISO 1302 ✓	tolerance ISO 406 ISO 1101	projection INCH/MM	product family HPC
ltr	ecn	no	dr	date	tolerances unless otherwise specified
R					angles .XX±.01/.3 linear .XXX±.005/.13 0°±2' .XXXX±.0020/.051
			dr	D.SHEAFER	1/7/90
			enr	S.CLARK	1/7/90
			chr	S.CLARK	1/7/90
			appd	S.CLARK	1/7/90
sheet index	revision sheet				
				scale 1:1	title 4 ROW R/A RECEPTACLE SOLDER TAIL, 0 GUIDE PIN
				FCJ	dwg no 50003
					sheet 2 of 4
				type Product Customer Drawing	

PRODUCT NUMBER	NUMBER OF POSITIONS SEE NOTE 2	TAIL LENGTH	CONTACT PLATING	TAIL PLATING
50003-1YYYYE	YYY	.125±.010 / 3.18±0.25	30u" /0.76u Au	TIN/LEAD
50003-1YYYYELF	YYY	.125±.010 / 3.18±0.25	30u" /0.76u Au	TIN
50003-1YYYYF	YYY	.145±.010 / 3.68±0.25	30u" /0.76u Au	TIN/LEAD
50003-1YYYYFLF	YYY	.145±.010 / 3.68±0.25	30u" /0.76u Au	TIN
50003-1YYYYH	YYY	.180±.010 / 4.57±0.25	30u" /0.76u Au	TIN/LEAD
50003-1YYYYHLF	YYY	.180±.010 / 4.57±0.25	30u" /0.76u Au	TIN
50003-3YYYYE	YYY	.125±.010 / 3.18±0.25	50u" /1.27u Au	TIN/LEAD
50003-3YYYYELF	YYY	.125±.010 / 3.18±0.25	50u" /1.27u Au	TIN
50003-3YYYYF	YYY	.145±.010 / 3.68±0.25	50u" /1.27u Au	TIN/LEAD
50003-3YYYYFLF	YYY	.145±.010 / 3.68±0.25	50u" /1.27u Au	TIN
50003-5YYYYE	YYY	.125±.010 / 3.18±0.25	30u" /0.76u GXT	TIN/LEAD
50003-5YYYYELF	YYY	.125±.010 / 3.18±0.25	30u" /0.76u GXT	TIN
50003-5YYYYF	YYY	.145±.010 / 3.68±0.25	30u" /0.76u GXT	TIN/LEAD
50003-5YYYYFLF	YYY	.145±.010 / 3.68±0.25	30u" /0.76u GXT	TIN
50003-5YYYYH	YYY	.180±.010 / 4.57±0.25	30u" /0.76u GXT	TIN/LEAD
50003-5YYYYHLF	YYY	.180±.010 / 4.57±0.25	30u" /0.76u GXT	TIN
50003-XX002	YYY	.125±.010 / 3.18±0.25	80u" /2.03u Au	TIN/LEAD

NOTE 8



FCIconnect.com

Copyright FCI

mat'l. NOTE 8 SEE NOTE 3		surface ISO 1302 ✓	tolerance ISO 406 ISO 1101	projection 	product family HPC
ltr	ecn no	dr	date	tolerances unless otherwise specified	title
R				angles linear .XX±.01/.3 .XXX±.005/.13 .XXXX±.0020/.051	INCH/MM 4 ROW R/A RECEPTACLE SOLDER TAIL, 0 GUIDE PIN
				0°±2'	scale 1:1
		dr	D.SHEAFER	1/7/90	dwg no
		enr	S.CLARK	1/7/90	sheet 4 of 4
		chr	S.CLARK	1/7/90	size A3
		appd	S.CLARK	1/7/90	type Product Customer Drawing
sheet index	revision sheet				

